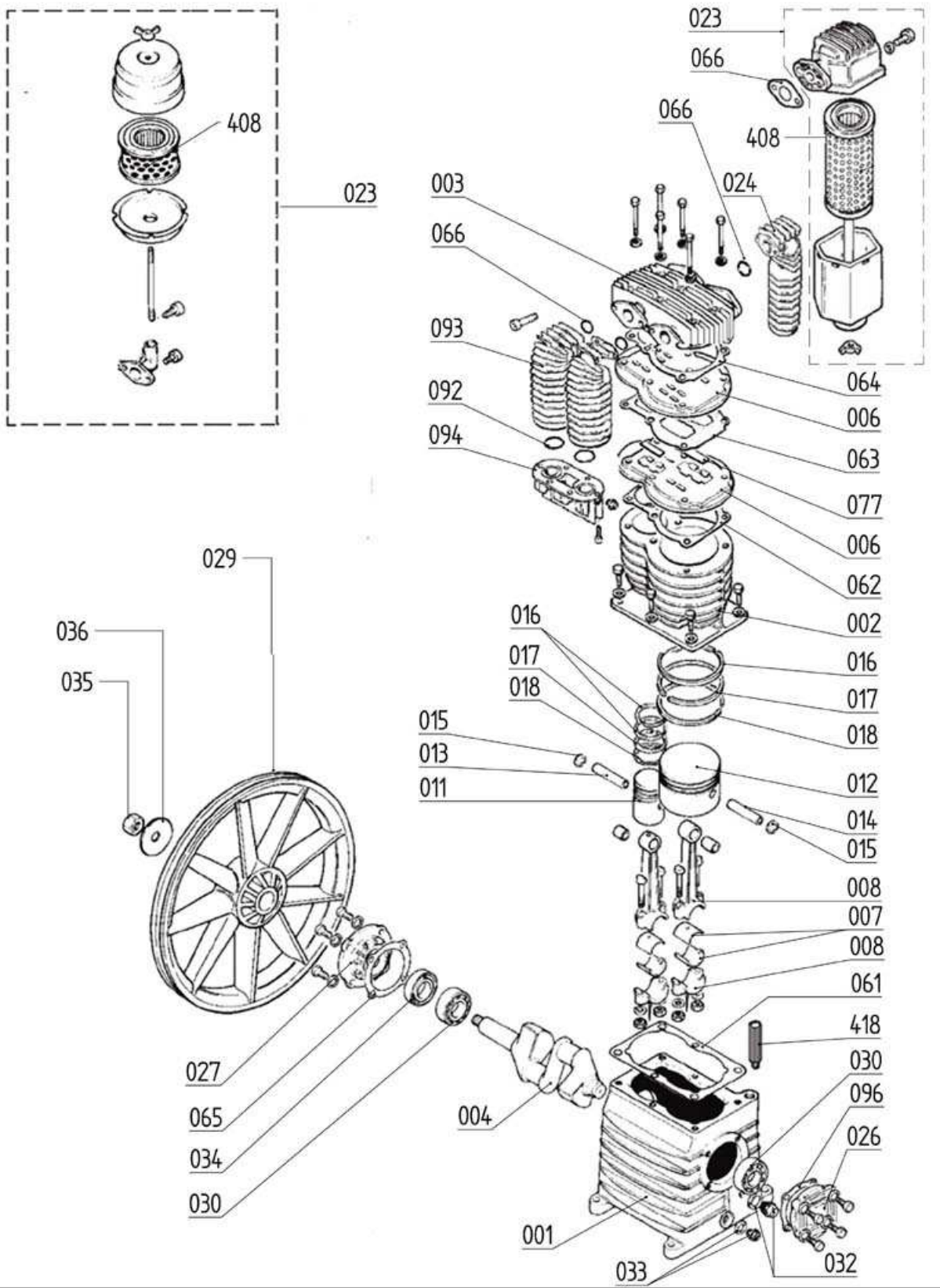


ASG99



Livello 0

Exp.	Posizione	Codice	Descrizione	UM	Impiego
1		\$33104600	CRANKCASE K22-K28	PZ	1,0
2		\$31604730	CYL K22-K25	PZ	1,0
3		SG61400	HEAD K25	PZ	1,0
4		SG61200	CRANKSHAFT MACHINED K25-K28	PZ	1,0

Exp.	Posizione	Codice	Descrizione	UM	Impiego
	6	SG40100	VALVE PLATE K22-K25	PZ	2,0
	7	\$31100210	BEARING SHELL K8-K28	PZ	2,0
	8	\$31104840	CONNECTING ROD COMPL. K22-K28	PZ	2,0
	11	\$31206180	PISTON C.I. D/50	PZ	1,0
	11	94X0342	PIST.VEST.D50 GH \$32545180	PZ	1,0
	12	\$31203600	PISTON D90 K25 K35 K70	PZ	1,0
	13	\$31204670	PISTON PIN HP K22-K26	PZ	1,0
	14	\$31203610	PISTON PIN K25 K35 K70	PZ	1,0
	15	\$37602260	CIRCLIP AAI D18 7437 FROM K22	PZ	4,0
	16	\$31203570	RING COMPR. D90 K25 K35 K70	PZ	1,0
	16	\$31204700	RING COMPR. D50 HP K22-K28	PZ	2,0
	17	\$31203580	RING SCRAPER D90 K25 K70	PZ	1,0
	17	\$31204710	RING SCRAP. D50 HP K22-K28	PZ	1,0
	18	\$31203590	RING OIL SCRAP. D90 K70	PZ	1,0
	18	\$31204720	RING OIL SCRAP. D50 H K22-K28	PZ	1,0
	23	SZ81000	COMP. FILTER EXAG. (45-293-2	PZ	1,0
	24	SG70100	AFTERCOOLER 1"	PZ	1,0
	26	\$30400830	SUPP OIL BRTH. K8-K22	PZ	1,0
	27	\$30400860	SUPP. FLYWHEEL SIDE K8-K22	PZ	1,0
	30	\$30300030	BALL BEARING 6205 K8-K28	PZ	2,0
	32	\$30500130	GASK. OIL LEVEL K2-K35	PZ	1,0
	32	\$36500140	OIL LEVEL 1/2" GAS K2-K35	PZ	1,0
	33	\$30500160	GASK. OIL PLUG 17X13,1X2	PZ	1,0
	33	\$36500110	PLUG OIL DISCHARGE 1/4"GAS	PZ	1,0
	34	\$30300040	OIL SEAL 47X25X10 FROM K2V/260	PZ	1,0
	35	\$37400720	NUT 16X1,25 SX FLYWHEEL K2-K28	PZ	1,0
	36	\$37500730	WASHER 30X17X5 FLYWHEEL	PZ	1,0
	61	\$30504630	GASK. CRANKCASE CYL K22-K28	PZ	1,0
	62	\$30504740	GASK. CYL PLATE K22-K25	PZ	1,0
	63	\$30504760	GASK. PLATE PLATE K22-K25	PZ	1,0
	64	\$30504770	GASK. PLATE HEAD K22-K25	PZ	1,0
	65	\$30500050	GASK. CRANKCASE SUPP. K8-K28	PZ	1,0
	66	\$30502330	GASKET. HEAD COOLER K30	PZ	1,0
	66	\$30502500	OR VITON 3112 28,24x2,62	PZ	3,0
	77	\$32700350	VALVE STEEL K8-K28	PZ	2,0
	77	\$32703560	VALVE STAINLESS STEEL	PZ	2,0
	92	\$30502400	OR VITON 3137 DOWN COOL. K24 K	PZ	2,0
	93	SG70101	SHORT MANIFOLD-LEFT-	PZ	2,0
	94	\$3690211A	UNDER-COOLER CONN. K24 K25 K28	PZ	1,0
	96	\$30500150	GASK. CRANKCASE SUPP. K8-K28	PZ	1,0
	408	\$35602940	FILT. CARTRIDGE EXHAG.	PZ	1,0
	418	\$36507050	OIL BREATHER 3/8 GAS WITH OR	PZ	1,0