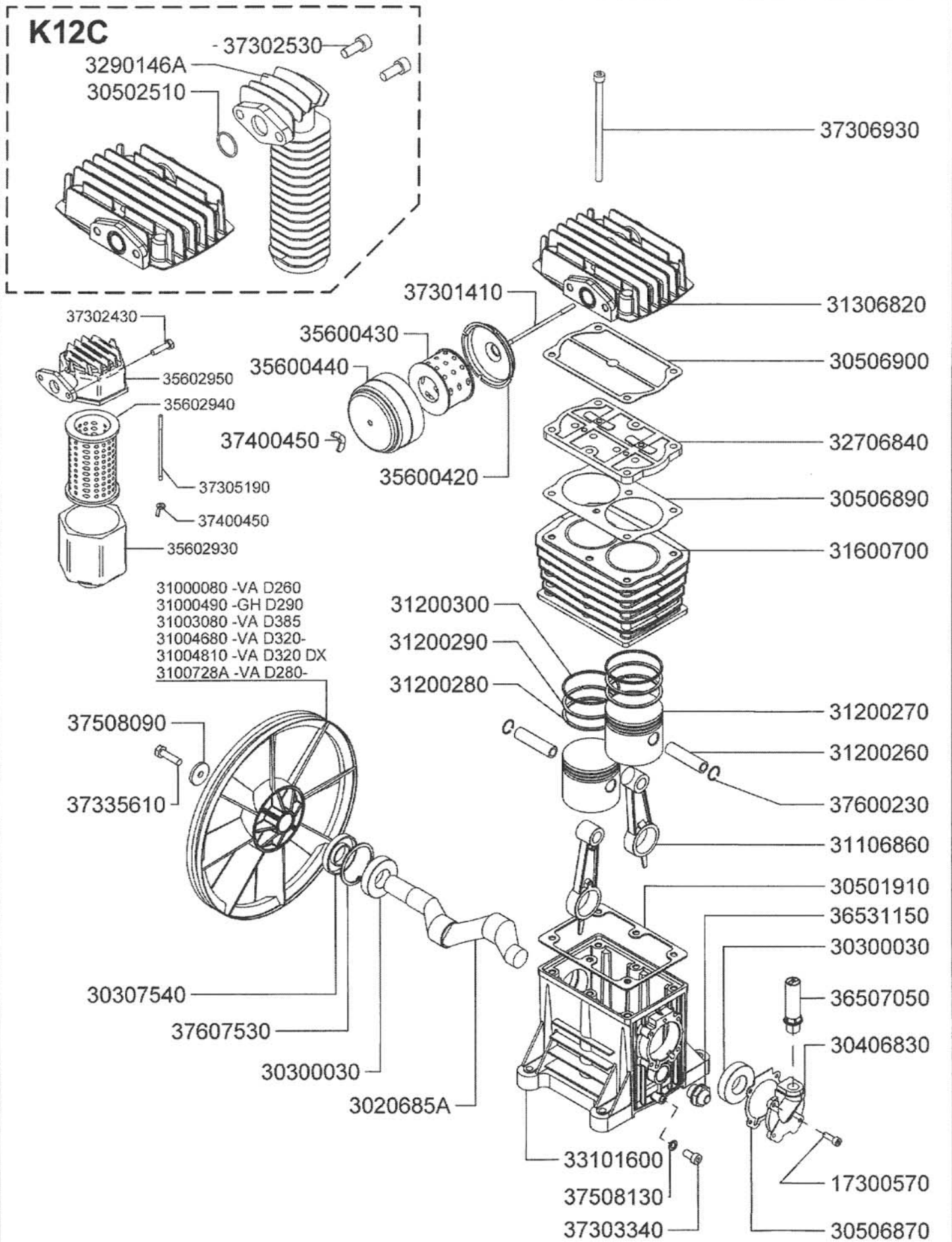


K12

K12C



CODE	DENOMINAZIONE	DENOMINATION	DENOMINATION	BEZEICHNUNG	DENOMINACION
3020685A	Albero a gomiti	Crankshaft	Vilebrequin	Kurbelwelle	Arbol a codolo
30300030	Cuscinetto	Ball bearing	Roulement à billes	Kugellager	Cojinete
30307540	Corteco	Bi-angular bearing	Joint	Dichtungsring	Guarnición
30406830	Supporto	Support	Support	Lagerflansch	Apoyo
30506870	Guarnizione	Gasket	Joint	Dichtung	Empaquetadura
30501910	Guarnizione	Gasket	Joint	Dichtung	Empaquetadura
30506890	Guarnizione	Gasket	Joint	Dichtung	Empaquetadura
30506900	Guarnizione	Gasket	Joint	Dichtung	Empaquetadura
3100728A	Volano ø280	Flywheel ø280	Poulie ø280	Schwungrad ø280	Volante
31106860	Biella completa	Compl. connecting rod	Bielle complète	PLEuelstangekomplet	Biella completa
31200260	Spinotto	Piston pin	Axe du piston	Bolzen	Eje de la Biela
31200270	Pistone Ø64	Piston Ø64	Piston Ø64	Kolben Ø64	Piston Ø64
31200280	Raschia olio a feritoia	Slotted oil scraper ring	Segment racleur	Ölanstreifring	Segmento colector
31200290	Raschia olio a scalino	Stepped scraper ring	Segment huileur	Ölabstreifring	Segmento aceite
31200300	Anello di compressione	Compression ring	Anneau de compression	Kolbenring	Anillo de compresión
31306820	Testa	Cylinderhead	Culasse	Zylinderkopf	Cabeza
31600700	Cilindro	Cylinder	Cylindre	Zylinder	Cilindro
32706840	Piastra valvola	Valves plate	Plaque clapets	Ventilplatte	Placa valvulas
33101600	Monoblocco	Crankcase	Monobloc	Zylinderblock	Monobloque
35600420	Coperchio filtro	Filter cover	Couvercle filtre	Filter Deckel	Tapa filtro
35600430	Cartuccia filtro	Filter cartridge	Cartouche filtre	Filtereinsatz	Cartucho filtro
35600440	Corpo filtro	Filter casing	Corps filtre	Filtergehäuse	Cuerpo filtro
36507050	Tappo olio	Oil plug	Bouchon de vidage	Ölschraube	Tapòn aceite
36531150	Livello olio c/joint	Oil level +/joint	Niv.d'huile +/joint	Oelstand +/joint	Visor de aceite +/joint
37301410	Tirante	Tension rod	Tirant	Spannstange	Tirante
37303340	Vite	Screw	Vis	Schraube	Tornillo
17300570	Vite	screw	Vis	Schraube	Tornillo
37306930	Vite	Screw	Vis	Schraube	Tornillo
37335610	Vite	Screw	Vis	Schraube	Tornillo
37400450	Dado	Nut	Ecrou	Mutter	Dado
37508130	Rondella	Washer	Rondelle	Beilagscheibe	Arandela
37508090	Rondella	Washer	Rondelle	Beilagscheibe	Arandela
37600230	Seeger	Circlip	Seeger	Seegerring	Seeger
37607530	Seeger	Circlip	Seeger	Seegerring	Seeger
OPTIONAL VOLANO					
31000080	Volano ø260 AL 1A SX	Flywheel ø260 AL	Poulie ø260 AL	Schwungrade ø260	Volante ø260
31000490	Volano ø290 GH 1A SX	Flywheel ø290 GH	Poulie ø290 AL	Schwungrade ø290	Volante ø290
31003080	Volano ø385 AL 1A SX	Flywheel ø385 AL 1A S	Poulie ø385 AL 1A SX	Schwungrade ø385	Volante ø385
31004680	Volano ø320 AL 1A SX	Flywheel ø320 AL	Poulie ø320 AL	Schwungrade ø320	Volante ø320
31004810	Volano ø320 AL 1A DX	Flywheel ø320 AL	Poulie ø320 AL	Schwungrade ø320	Volante ø320
3100728A	Volano ø280 AL	Flywheel ø280	Poulie ø280 AL	Schwungrade ø280	Volante ø280
OPTINAL COLLETTORE					
30502510	OR	O-Ring	Joint torique	O-Ring	O-Ring
3290146A	Collettore di scarico	Aftercooler	Collecteur d'achappement	Nachkühler	Colector de descarga
37302530	Vite	Screw	Vis	Schraube	Tornillo
OPTINAL FILTRO					
35602930	Coperchio filtro	Filter cover	Couvercle filtre	Filter Deckel	Tapa filtro
35602940	Cartuccia filtro	Filter cartridge	Cartouche filtre	Filtereinsatz	Cartucho filtro
35602950	Corpo filtro	Filter casing	Corps filtre	Filtergehäuse	Cuerpo filtro
37302430	Vite	Screw	Vis	Schraube	Tornillo
37305190	Tirante	Tension rod	Tirant	Spannstange	Tirante
37400450	Dado	Nut	Ecrou	Mutter	Dado