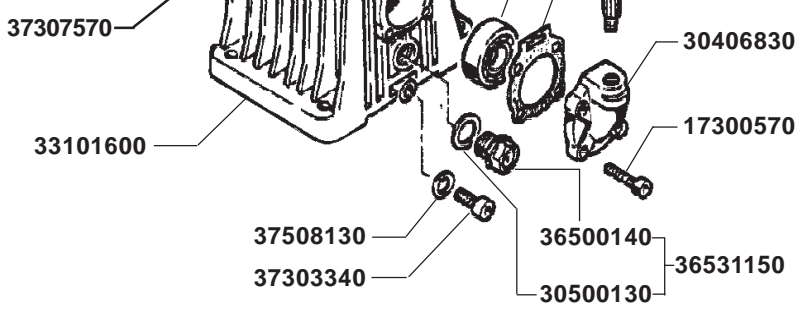
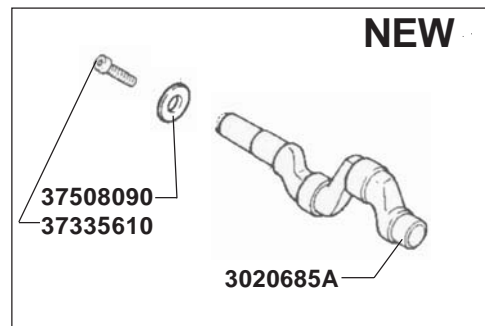
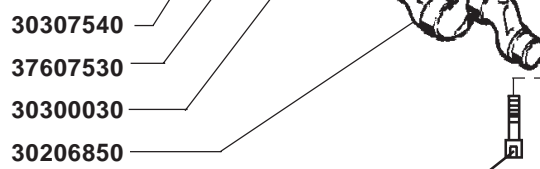
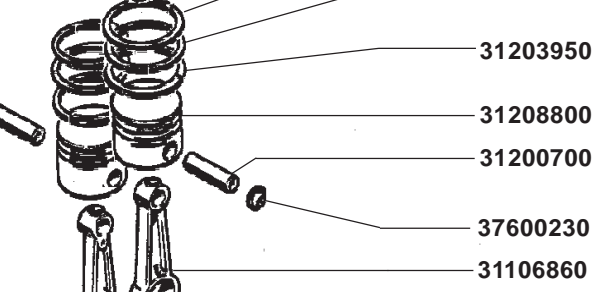
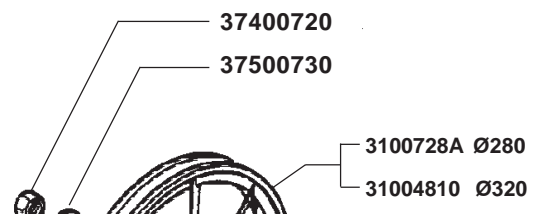
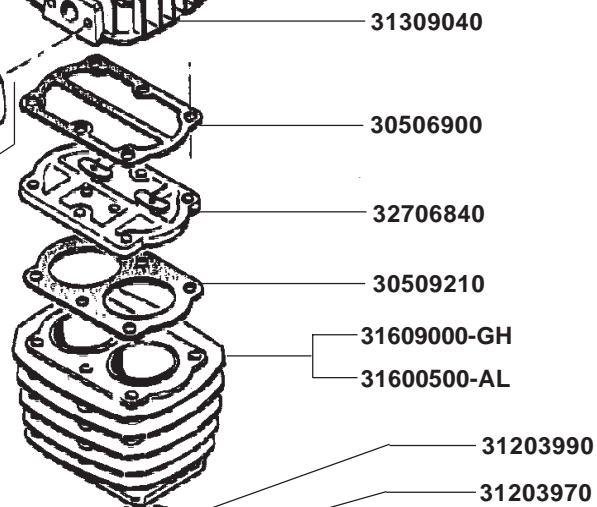
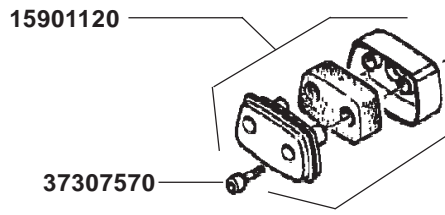
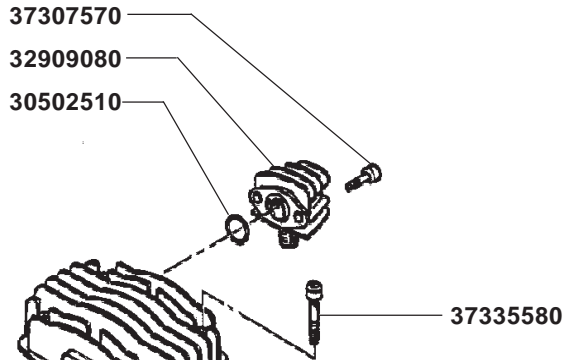
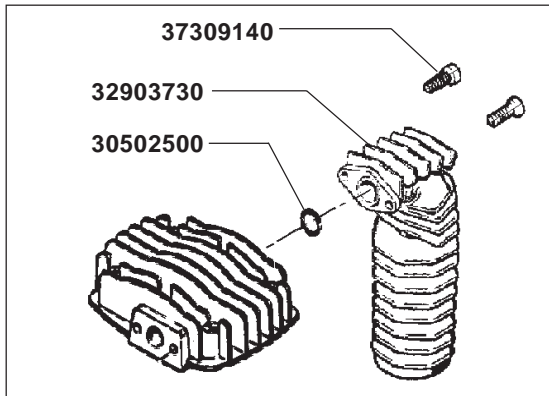


K9



CODE	DENOMINAZIONE	DENOMINATION	DENOMINATION	BEZEICHNUNG	DENOMINACION
15901120	Filtro completo	Complete filter	Filtre	Filter	filtro
17500570	Vite	Screw	Vis	Schraube	Tornillo
30206850	Albero a gomiti	Crankshaft	Vilebrequin	Kurbelwelle	Arbol a codo
30300030	Cuscinetto	Ball bearing	Roulement à billes	Kugellager	Cojinete
30307540	Corteco	Bi-angular bearing	Joint	Dichtungsring	Guarnición
30406830	Supporto	Support	Support	Lagerflansch	Apoyo
30500130	Guarnizione	Gasket	Joint	Dichtung	Empaquetadura
30502510	OR	O-Ring	Joint torique	O-Ring	O-Ring
30506870	Guarnizione	Gasket	Joint	Dichtung	Empaquetadura
30506880	Guarnizione	Gasket	Joint	Dichtung	Empaquetadura
30506890	Guarnizione	Gasket	Joint	Dichtung	Empaquetadura
30506900	Guarnizione	Gasket	Joint	Dichtung	Empaquetadura
31007280	Volano ø280	Flywheel ø280	Poulie ø280	Schwungrad ø280	Volante
31106860	Biella completa	Compl. connecting rod	Bielle complète	PLEuelstangekomplet	Biela completa
31200700	Spinotto	Piston pin	Axe du piston	Bolzen	Eje de la Biela
31203970	Raschia olio a scalino	Stepped scraper ring	Segment huileur	Ölabstreifring	Segmento aceite
31203950	Raschia olio a feritoia	Slotted oil scraper ring	Segment racleur	Ölanstreifring	Segmento colector
31203990	Anello di compressione	Compression ring	Anneau de compression	Kolbenring	Anillo de compresión
31208800	Pistone ø64	Piston ø64	Piston ø64	Kolben ø64	Piston
31309040	Testata	Cylinderhead	Culasse	Zylinderkopf	Cabeza
31600500	Cilindro AL	Cylinder AL	Cylindre AL	Zylinder AL	Cilindro AL
31609000	Cilindro GHISA	Cylinder GH	Cylindre GH	Zylinder GH	Cilindro GH
32706840	Piastra valvola	Valves plate	Plaque clapets	Ventilplatte	Placa valvulas
32909080	Collettore di scarico	Aftercooler	Collecteur d'achappement	Nachkühler	Colector de descargo
33101600	Monoblocco	Crankcase	Monobloc	Zylinderblock	Monobloque
35647510	Coperchio filtro	Filter cover	Couvercle filtre	Filter Deckel	Tapa filtro
36507050	Tappo olio	Oil plug	Bouchon de vidage	Ölschraube	Tapón aceite
36500140	Livello olio 1/2" gas	Oil level 1/2" gas	Niv.d'huile1/2" gas	Oelstand1/2"	Visor de aceite1/2" gas
36531150	Livello olio 1/2" gas d'joint	Oil level 1/2" gas+/joint	Niv.d'huile1/2" gas+/joint	Oelstand1/2" +/joint	Visor de aceite1/2" gas+/joint
37307570	Vite	Screw	Vis	Schraube	Tornillo
37303340	Vite	Screw	Vis	Schraube	Tornillo
37307570	Vite	Screw	Vis	Schraube	Tornillo
37335580	Vite	screw	Vis	Schraube	Tornillo
37400720	Dado	Nut	Ecrou	Mutter	Dado
37508130	Rondella	Washer	Rondelle	Beilagscheibe	Arandela
37500730	Rondella	Washer	Rondelle	Beilagscheibe	Arandela
37600230	Seeger	Circlip	Seeger	Seegerring	Seeger
37607530	Seeger	Circlip	Seeger	Seegerring	Seeger

OPTIONAL VOLANO

31004810	Volano ø320 AL 1A	Flywheel ø320 AL 1A	Poulie ø320 AL 1A	Schwungrade ø320	Volante
----------	-------------------	---------------------	-------------------	------------------	---------

OPTIONAL COLLETTORE

30502500	OR	O-Ring	Joint torique	O-Ring	O-Ring
32903730	Collettore di scarico	Aftercooler	Collecteur d'achappement	Nachkühler	Colector de descargo
37309140	Vite	Screw	Vis	Schraube	Tornillo

NEW

3020685A	Albero a gomiti	Crankshaft	Vilebrequin	Kurbelwelle	Arbol a codo
37508090	Rondella	Washer	Rondelle	Beilagscheibe	Arandela
37335610	Vite	Screw	Vis	Schraube	Tornillo