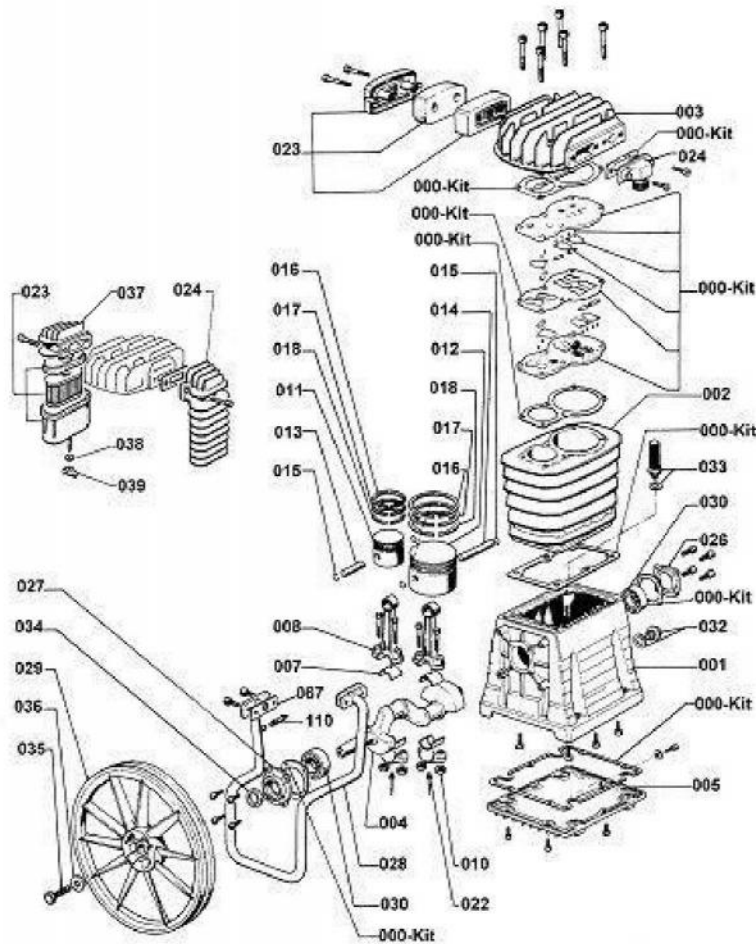


**Code:**  
**NS 29S**

**470000B**



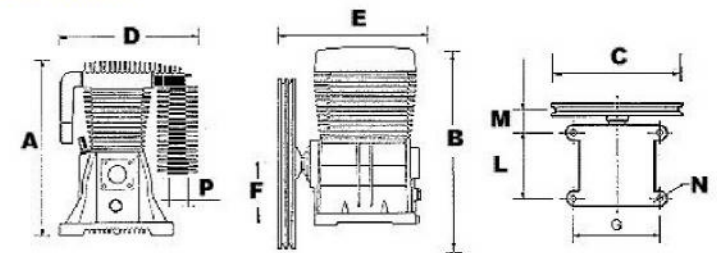
**Technical Data:**

<b>Cylinders:</b>	2		
<b>Stages:</b>	2		
<b>Air Flow:</b>	514	L/min	18,1 cfm
<b>Power:</b>	3	Kw	4 HP
<b>Speed:</b>	1450	rpm	
<b>Max Pressure:</b>	12	Bar	174 psi

**Tightening Torques:**

<b>Bolt Size:</b>	M8	
<b>Min Torque:</b>	22.45	Nm
<b>Max Torque:</b>	27.43	Nm

**Dimensions:**



In mm

A	B	C	D	E	F	G	L	M	N	P
363	424	370	250	307	124	174	146	105	11	1" F

**Box Weight:** 17.5 Kg **Box Dimensions:** W x D x L: 301 x 376 x 432

**Codice: 47000B****NS 29S**

<i>Mnt</i>	<i>Ref</i>	<i>Codice</i>	<i>Descrizione</i>	<i>Italiano</i>	<i>Inglese</i>	<i>Francese</i>	<i>Tedesco</i>	<i>Spagnolo</i>	<i>Qta</i>
<input type="checkbox"/>	0	4950055	Kit guarnizioni	Kit Guarnizioni	Gasket Kit	Kit Joint	Bausatz Dichtungen	Kit de Juntas	1
<input type="checkbox"/>	1	4960101	CARTER LAVORATO B4900 NE	Carter Lavorato	Crankase	Carter	Kurbelgehäuse	Carter meca	1
<input type="checkbox"/>	1	4960100	CARTER LAVORATO B4900	Carter Lavorato	Crankase	Carter	Kurbelgehäuse	Carter meca	1
<input type="checkbox"/>	2	4937090	CILINDRO SEMILAV.B 4900 GHI	Cilindro Lavorato	Cylinder	Cylindre	Zylinder	Cilindro meca	1
<input type="checkbox"/>	2	4930001	CILINDRO LAVORATO B4900 GH	Cilindro Lavorato	Cylinder	Cylindre	Zylinder	Cilindro meca	1
<input type="checkbox"/>	2	4930002	CILINDRO GH.LAVORATO NS 29	Cilindro Lavorato	Cylinder	Cylindre	Zylinder	Cilindro meca	1
<input type="checkbox"/>	3	4961400	TESTA LAVORATA B4900	Testa Lav.	Pump head	Culasse	Zylinderkopf	Culata meca	1
<input type="checkbox"/>	4	4961200	ALBERO A GOMITO LAV.B4900	Albero	Crankshaft	Vilebrequin	Kurbelwelle	Cigüeñal	1
<input type="checkbox"/>	5	4961300	FONDO CARTER LAVOR.B4900	Fondo Carter	Crankase gasket	Couvercle	Gehäusedeckel	Tapa carter	1
<input type="checkbox"/>	5	4961301	FONDO CARTER LAVOR.B4900	Fondo Carter	Crankase gasket	Couvercle	Gehäusedeckel	Tapa carter	1
<input type="checkbox"/>	6	4940050	GRUPPO PIASTRA VALVOLA B4	Gr. Piastra Valvola	Valve plate assy.	Kit plaque clapets	Ventilkoerpersatz	Placa valvula	1
<input type="checkbox"/>	7	9013011	SEMIGUSCIO 31 X 28 X 22	Semiguscio	Halfbearing	Demi coussinets	Pleuellager	Semi cojinete	4
<input type="checkbox"/>	8	4011101	BIELLA LAVORATA B4000 C/AST	Biella	Connecting rod	Bielle	Pleuelstange	Biela	2
<input type="checkbox"/>	10	9128234	DADO AUTOBLOCCANTE M 8 U	Dado Autobloccante	Self locking nut	Ecrou de surete	Sicherungsmutter	Tuerca aut.	4
<input type="checkbox"/>	11	4621100	PISTONE 50 SPINOTTO 18	Pistone D. Spinotto D.	Piston D. Pin D.	Piston D. axe D.	Kolben D. bolzen D.	Piston D. eje D.	1
<input type="checkbox"/>	12	4922100	PISTONE 95 SPINOTTO 18	Pistone D. Spinotto D.	Piston D. Pin D.	Piston D. axe D.	Kolben D. bolzen D.	Piston D. eje D.	1
<input type="checkbox"/>	13	4621200	SPINOTTO 18 X 42	Spinotto	Pin	Axe	Kolbenbolzen	Bulon piston alta	1
<input type="checkbox"/>	14	4922200	SPINOTTO 18 X 85	Spinotto	Pin	Axe	Kolbenbolzen	Bulon piston baja	1
<input type="checkbox"/>	15	9140050	SEEGER 18 UNI 7437	Seeger	Circlip	Circlips	Seegerring	Seguer	4
<input type="checkbox"/>	16	9020023	SEGMENTO AC 50 X 2	Segmento AC	Piston ring AC	Segment ètannchéité	Kolbenring AC	Segmento AC	1
<input type="checkbox"/>	16	9020055	SEGMENTO AC 95 X 2,5	Segmento AC	Piston ring AC	Segment ètannchéité	Kolbenring AC	Segmento AC	1
<input type="checkbox"/>	17	9020056	SEGMENTO ROS 95 X 2,5	Segmento ROS	Piston ring ROS	Segment racleur	Kolbenring ROS	Segmento ROS	1
<input type="checkbox"/>	17	9020053	SEGMENTO ROS 50 X 2	Segmento ROS	Piston ring ROS	Segment racleur	Kolbenring ROS	Segmento ROS	1
<input type="checkbox"/>	18	9020086	SEGMENTO ROF 50 X 4	Segmento ROF	Piston ring ROF	Segment refoulement	Kolbenring ROF	Segmento ROF	1
<input type="checkbox"/>	18	9020057	SEGMENTO ROF 95 X 5	Segmento ROF	Piston ring ROF	Segment refoulement	Kolbenring ROF	Segmento ROF	1
<input type="checkbox"/>	23	2281000	FILTRO B 20/30/39/40/4900 EXP.	Filtro	Filter	Filtre	Luftfilter	Filtro	1
<input type="checkbox"/>	23	4981000	FILTRO B 4900	Filtro	Filter	Filtre	Luftfilter	Filtro	1
<input type="checkbox"/>	24	2070100	COLLETT.LAVOR. B2/3/4000	Collettore	Aftercooler	Refridisseur entre èta	Nachkühler	Colector	1
<input type="checkbox"/>	26	2060690	COPERCHIO LOV B24/29/39/490	Coperchio LOV	Cover N.D.E.	Flasque arriere	Deckel LOV	Tapa carter LOV	1
<input type="checkbox"/>	27	2060590	COPERCHIO LV B24/29/39/4900	Coperchio LV	Cover D.E.	Flasque avant	Deckel LV	Tapa carter LV	1
<input type="checkbox"/>	28	4662010	TUBO RAFFR.B46/4900 C/MAN.1/	Tubo raffreddamento	Intercooler	Refroidisseur	Zwischenkühler	Tubo refrigerador etap	1
<input type="checkbox"/>	29	4000100	VOLANO D.370 B4900	Volano	Flywheel	Volant	Lufterrad	Volante	1
<input type="checkbox"/>	29	3600100	VOLANO D.350 B3800/B4900	Volano	Flywheel	Volant	Lufterrad	Volante	1
<input type="checkbox"/>	30	9170030	CUSCINETTO 6205 HOBBY	Cuscinetto	Bearing	Roulement a billes	Kugellager	Rodamiento	2
<input type="checkbox"/>	32	9022001	LIVELLO OLIO 1/2" GAS	Livello olio	Oil sight glass	Niveau huile	Ol schauglas	Nivel Aceite	1
<input type="checkbox"/>	33	9024010	TAPPO CARICO OLIO 3/8" B4900	Tappo carico olio	Oil fill plug	Bouchon de replissag	Oleinfullschraube	Tapon carga aceite	1
<input type="checkbox"/>	34	9163010	GUARN.ANGUS 35 X 25 X 7 D37	Guarnizione Angus	Oil seal	Joint à levres	Wellendichtring	Reten aceite	1
<input type="checkbox"/>	35	9110014	VITE TE 8 X 30 SN.R80 BR	Vite TE	Screw	Vis	Schraube	Tornillo volante	1

<input type="checkbox"/>	36	9004008	ROND. VOLANO 8,5 X 30 X 5	Rondella volano	Fly wheel washer	Rondelle volant	Unterlegscheibe	Arandela volante	1
<input type="checkbox"/>	60	4950101	GUARN.FONDO CARTER B4900	Guarnizione fondo cart	Crankase gasket	Joint fond carter	Gehausedeckeldichtu	Junta tapa carter	1
<input type="checkbox"/>	60	4950100	GUARN.FONDO CARTER B4900	Guarnizione fondo cart	Crankase gasket	Joint fond carter	Gehausedeckeldichtu	Junta tapa carter	1
<input type="checkbox"/>	61	4950200	GUARN.CARTER-CILIN.B4900	Guarnizione carter/cili	Crankase cylinder ga	Joint carter/cylindre	Zylinderfussdichtung	Junta carter cilindro	1
<input type="checkbox"/>	62	4950300	GUARN.CILINDRO-PIASTRA B49	Guarnizione cilindro/pi	Cylinder - plate gaske	Joint cylindre/culasse	Ventildichtung	Junta cilindro placa	1
<input type="checkbox"/>	63	4640301	GUARN.PIASTRA-PIASTRA B46/	Guarnizione piastra/pi	Plate - plate gasket	Joint plaque valve	Ventilplattendichtung	Junta placa - placa	1
<input type="checkbox"/>	64	4650400	GUARN.PIASTRA-TESTA B46/49	Guarnizione piastra/te	Plate - head gasket	Joint plaque/tete	Zylinderkopfdichtung	Junta placa cilindro	1
<input type="checkbox"/>	65	2050500	GUARN.COPERCHIO B29/39/490	Guarnizione coperchio	Cover gasket D.E. - N	Flasque avant	Deckeldichtung LV-L	Junta tapa LV - LOV	2
<input type="checkbox"/>	66	3970200	GUARN.COLL.B2900/3900/4900	Guarnizione collettore	Aftercooler gasket	Joint collecteur	Flanschdichtung	Junta colector	1
<input type="checkbox"/>	67	4650600	GUARN.COLLETTORE X TUBO B	Guarnizione collettore	Inlet manifold gasket	Joint collecteur pour t	Flanschdichtung	Junta colector tubo	2
<input type="checkbox"/>	110	9049020	VALV.SIC.1/4 COLL.4,5 BAR	Valvola di sicurezza	Safety valve	Soispape de securite	Sichereitsventil	Valvula de seguridad	1