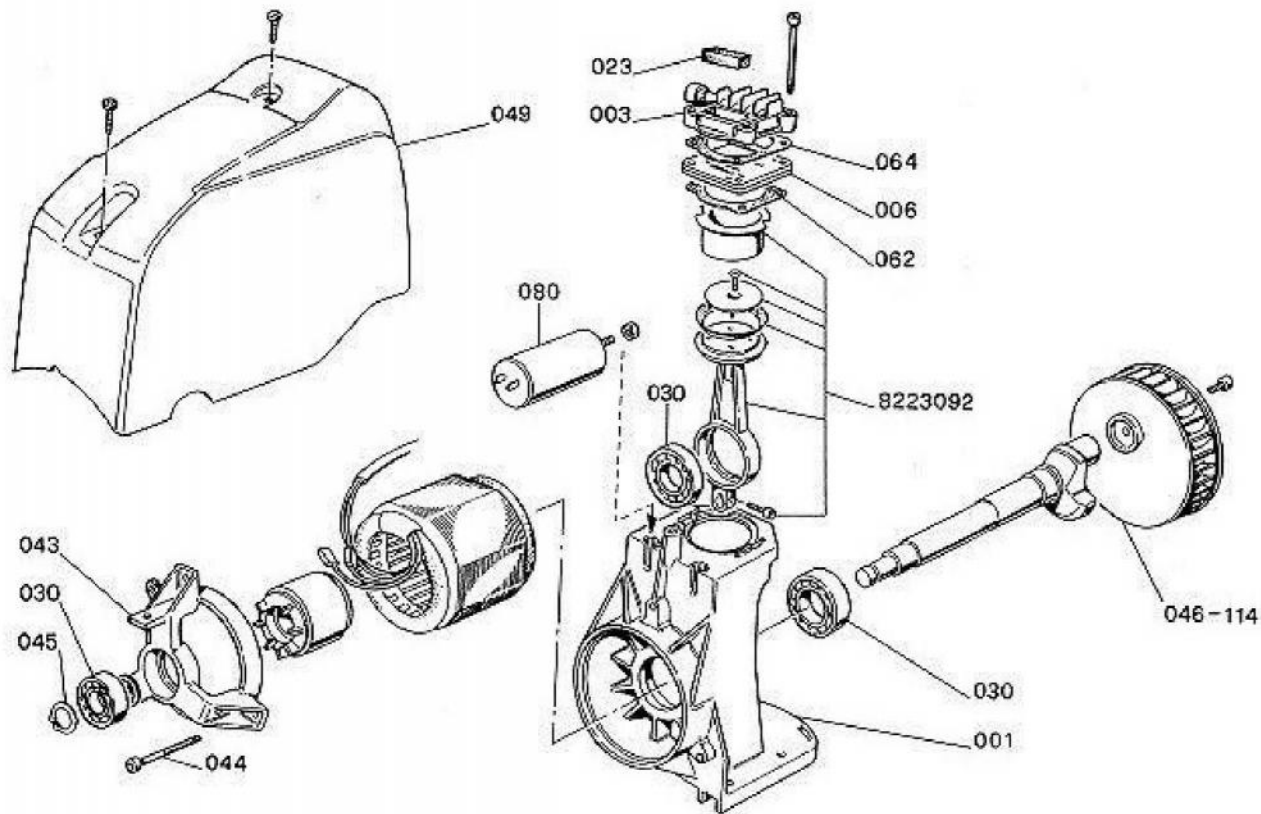


Code: A400000
OM 200 - 230V 50Hz - 1.5HP



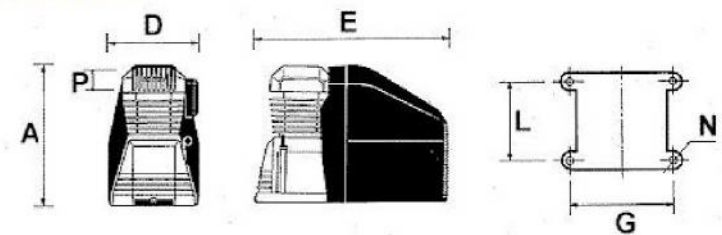
Technical Data:

Cylinders:	1	
Stages:	1	
Air Flow:	200 L/min	7,1 cfm
Power:	1.1 Kw	1.5 HP
Speed:	2850 rpm	
Max Pressure:	8 Bar	116 psi

Tightening Torques:

Bolt Size:	M6	
MinTorque:	9.3	Nm
Max Torque:	11.36	Nm

Dimensions:



In mm

A	B	C	D	E	F	G	L	M	N	P
280	/	/	200	360	/	139	64	/	9	3/8" F

Box Weight: 10 Kg Box Dimensions: W x D x L: 201 x 401 x 327

Codice: A400000

OM 200 - 230V 50Hz - 1.5HP

<i>Mnt</i>	<i>Ref</i>	<i>Codice</i>	<i>Descrizione</i>	<i>Italiano</i>	<i>Inglese</i>	<i>Francese</i>	<i>Tedesco</i>	<i>Spagnolo</i>	<i>Qta</i>
<input type="checkbox"/>	1	0461100	CARTER LAVORATO OL 200	Carter Lavorato	Crankase	Carter	Kurbelgehäuse	Carter meca	1
<input type="checkbox"/>	1	0461101	CARTER LAVORATO OL 200 NE	Carter Lavorato	Crankase	Carter	Kurbelgehäuse	Carter meca	1
<input type="checkbox"/>	2	0931280	CANNA F0 D60 OIL-LESS	Cilindro Lavorato	Cylinder	Cylindre	Zylinder	Cilindro meca	1
<input type="checkbox"/>	3	7161400	TESTA LAVORATA F1/220	Testa Lav.	Pump head	Culasse	Zylinderkopf	Culata meca	1
<input type="checkbox"/>	6	0540051	GR.PIASTRA VALV.F1/D1 LAM.0,	Gr. Piastra Valvola	Valve plate assy.	Kit plaque clapets	Ventilkoerpersatz	Placa valvula	1
<input type="checkbox"/>	23	7181100	FILTRO PER TESTA F1/220	Filtro	Filter	Filtre	Luftfilter	Filtro	1
<input type="checkbox"/>	30	9170085	CUSCINETTO 6205-2RS	Cuscinetto	Bearing	Roulement a billes	Kugellager	Rodamiento	1
<input type="checkbox"/>	30	9170091	CUSCINETTO 6203 2Z	Cuscinetto	Bearing	Roulement a billes	Kugellager	Rodamiento	1
<input type="checkbox"/>	30	9170097	CUSCINETTO 6005 2RS-SRI2 IKL	Cuscinetto	Bearing	Roulement a billes	Kugellager	Rodamiento	1
<input type="checkbox"/>	43	0462200	SCUDO MOT.LAVOR.OL 200	Scudo motore	Motor cover	Capot moteur	Lagerschild	Tapa motor	1
<input type="checkbox"/>	44	9011044	TIR.MOT.TE C/FLANGIA M5X95	Tirante motore	Motor bolts	Vis moteur	Stehbolzen	Varilla motor	3
<input type="checkbox"/>	45	9140160	SEEGER 17 UNI 7436 (1,5)	Seeger	Circlip	Circlips	Seegerring	Seguer	1
<input type="checkbox"/>	46	9038128	VENTOLA OILLESS 200 S/PERN	Ventola	Fan	Helice de ventilation	Lufterflugel	Ventilador	1
<input type="checkbox"/>	49	831100D	CONVOGLIATORE OM 200/24-50	Convogliatore	Cover	Capot de protection	Abdeckhaube zu E-M	Carcasa ventilador	1
<input type="checkbox"/>	62	7350300	GUARN.CILINDRO-PIASTRA F1/3	Guarnizione cilindro/pi	Cylinder - plate gaske	Joint cylindre/culasse	Ventildichtung	Junta cilindro placa	1
<input type="checkbox"/>	64	6750400	GUARN.PIASTRA-TESTA B 980	Guarnizione piastra/te	Plate - head gasket	Joint plaque/tete	Zylinderkopfdichtung	Junta placa cilindro	1
<input type="checkbox"/>	80	9067026	COND. 25 MF CODOLO M8	Condensatore	Capacitor	Condensateur	Kondensator	Condensador	1
<input type="checkbox"/>	114	9053796	PERNO DI RIFER.X VENT.90381	Perno di rif.per vent. 9	Fan retaining bolt	Axe de ventilateur	Bezugstift fur Lufter	Pernio de rif. Para ven	1